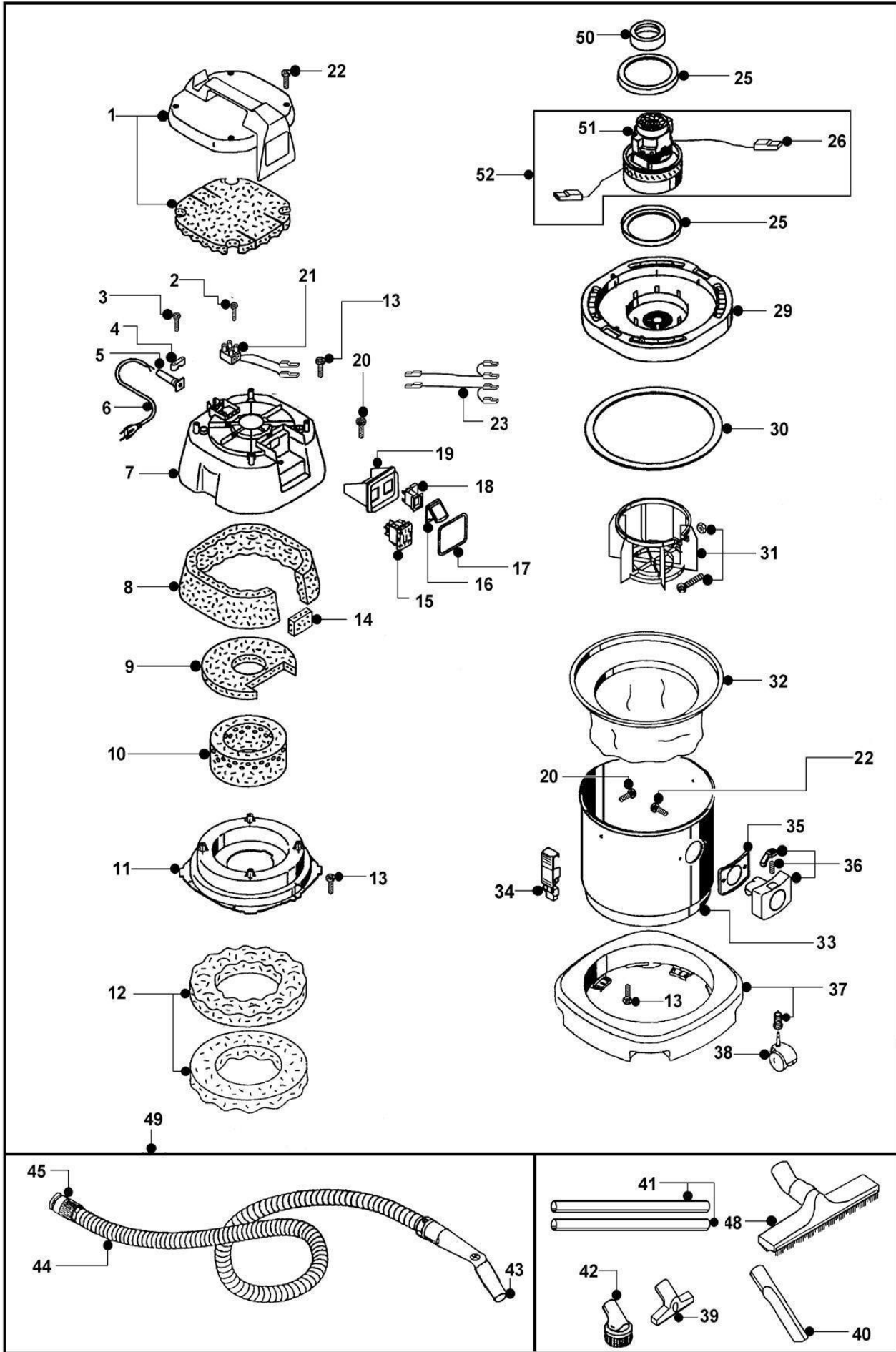


# KVAC10

K-NSI Parts not stocked by Kerrick. Maybe available from your local hardware store

# Part requires special order from supplier



KVAC - 10 - DRY VAC			
POS	DESCRIPTION	QTY	PART NO.
1	TOP COVER + NOISE FITER	1	VP4071018
2	SCREW	1	K-NSI
3	SCREW	2	K-NSI
4 #	CLAMP	1	VP2001340
5 #	LEAD GROMET	1	VP2502001
6	LEAD	1	K-NSI
7	MOTOR COVER	1	VP6003338
8	UPPER NOISE FILTER	1	VP3000603
9	MID NOISE FILTER	1	VP3000602
10	MOTOR NOISE FILTER/ROUND	1	VP3000601
11	MOTOR TOP PLATE	1	VP2009200
12	LOWER NOISE FILTER	2	VP3000600
13	SCREW	14	K-NSI
14#	FOAM PIECE	1	VP3000053
15	SWITCH	1	VP2506230
16#	SOCKET COVER	1	VP3004991
17	SWITCH GASKET	1	VP2502605
18#	POWER SOCKET 400W	1	VP3005010
19#	SWITCH HOUSING	1	VP2009250
20	SCREW	6	K-NSI
21	TERMINAL BLOCK	1	K-NSI
22	SCREW	6	K-NSI
23#	CONNECTION WIRES	2	VP6100210
25	MOTOR GASKET	2	VP2502500
26#	MOTOR WIRES	1	VP2506377
29	MOTOR BASE HOUSING	1	VP2209118
30	BASE GASKET	1	VP2502400
31	FILTER CAGE	1	VP6000500
32	FILTER COMPLETE	1	VP6610000
33#	VAC DRUM	1	VP2207001
34	TANK CLIP	2	VP6100019
35	GASKET	1	VP2502550
36	INLET CUFF D50	1	VP6000205
37#	TANK BASE	1	VP3570029
38	CASTOR WHEEL	4	VP2510151
39	STAIR NOZZLE D36	1	VP2511530
40	CREVICE NOZZLE D36	1	VP2511520
41	EXT WAND D36	2	VP2511500
42	ROUND BRUSH D36	1	VP2511540
43	HAND WAND PIECE D36	1	VP6010684
44	VAC HOSE ASSEMBLY 5 METRES	1	VPH032R05
45	HOSE CUFF M/C END	1	VP2511408
48	FLOOR TOOL BRUSH	1	VP2511524
49	VAC HOSE ASSEMBLY D36	1	VP6010648
50	MOTOR RING	1	VP2502518
51	MOTOR 1000W A40	1	Use Pos 52
52	MOTOR 1000W A40 + WIRES	1	VP03973S